

# AQ-S254 Alarm Annunciator and I/O extension IED

The Alarm Annunciator AQ-S254, is a multi-purpose IED for extending alarm functionality and I/O capability on a distribution or transmission substation. Fully modular hardware construction gives a high level of flexibility; functionality can be added or changed at any point.

AQ-S254 is a unique combination of alarm annunciator functionality, IEC 61850 communication including GOOSE and full EMC immunity according to IEC 60255 standard for robust substation installation.

## ONE OF A KIND

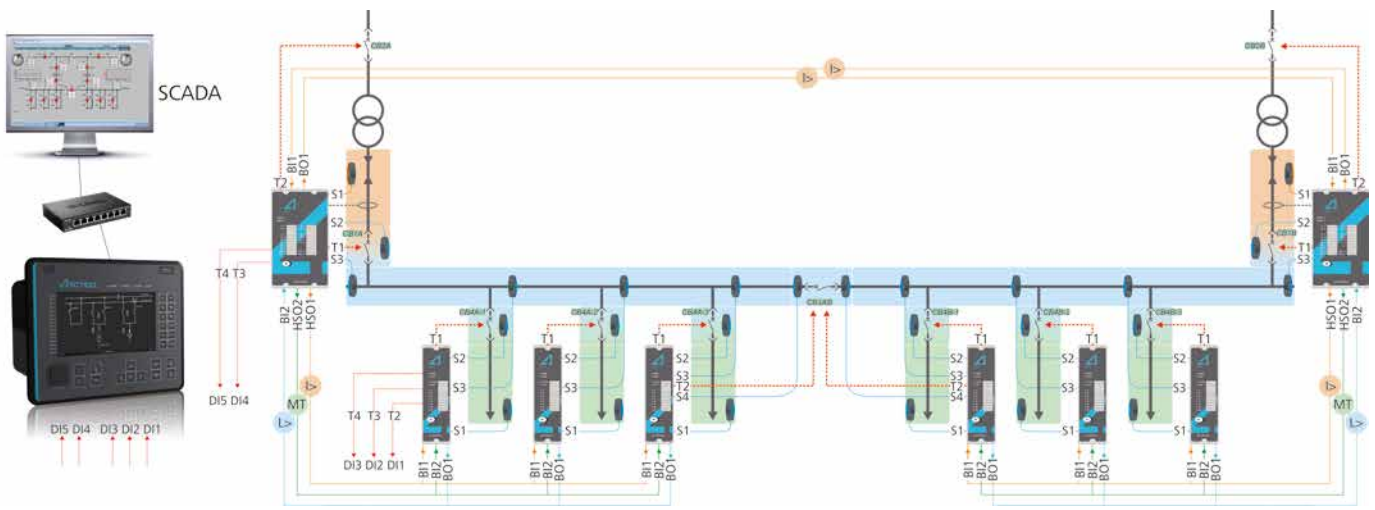
Alarm annunciator with IEC 61850 communication designed and tested for installation in substation conditions.

- Wire up to 115 binary signals to the alarm annunciator
- 7" multicolor display shows 128 alarms including 64 GOOSE messages simultaneously in an annunciator display
  - 5 selectable colors to show: alarm, active, active cleared, inactive uncleared
  - Dynamic view, freely settable 1 – 128 alarms simultaneously in display
  - Up to 31 characters descriptions/alarm
- Various communication protocols, including IEC 61850 communication with GOOSE
  - Ethernet or serial connection
  - Redundant IEC 61850 with HSR/PRP/RSTP
  - IEC 61850, IEC 103/101/104, DNP 3, Modbus, SPA
- Fitted for demanding substation conditions, tested according to IEC 60255
- Status indication and control of up to 10 breakers or disconnectors
- Upto 5 local HMI screens with MIMIC picture



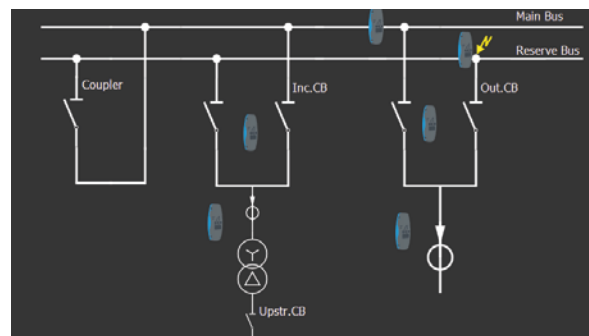
## EXCLUSIVE FEATURES

- Up to 128 alarms in dynamic full color display
- IEC 61850 Ed1 and Ed2
- Fitted for demanding substation conditions, tested according to IEC 60255



## AQ-S254 used in AQ 100 arc protection system as a gateway

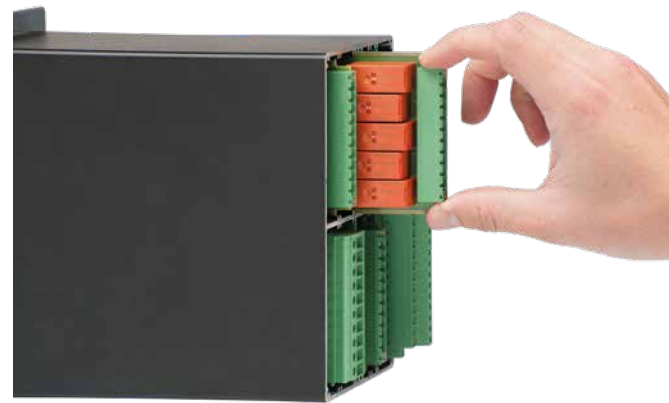
- Local display for the AQ 100 arc protection system, MIMIC with alarm visualization of faulty zone
- Alarm display for dedicated self-supervision-, light or current activation- and trip alarms with event log for each AQ100 unit.
- Extends the communication on substation level to RTU or directly to SCADA
- Includes IEC 61850, IEC 101/104 and other legacy protocols.



AQ 100 single line diagram view with indication of faulty section

## THE ONLY TRULY MODULAR DESIGN ON THE MARKET

- Hardware or software upgrades even on site at any time of the life cycle
- Unique flexibility and reduced life cycle cost



*Arcteq products are developed and supported by the team with more than 250 years of accumulated protection relay experience.*